

	Angular Pos / BB	Regulation °C	Diff. °C
X	0	≈ -5	
Y			
Z	270	210 ±7	Approx 7

Submerged cap. length = 50 mm

Terminals 6.3 x 0.8 mm

Bulb St/St

Capillary St/St

Capil. length 1000 ±25 mm

No of spirals Standard

Øf diameter 20/25 mm

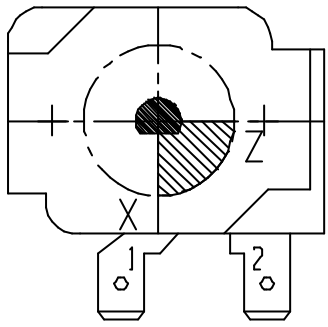
Sleeving 50 ±25 mm

PTFE

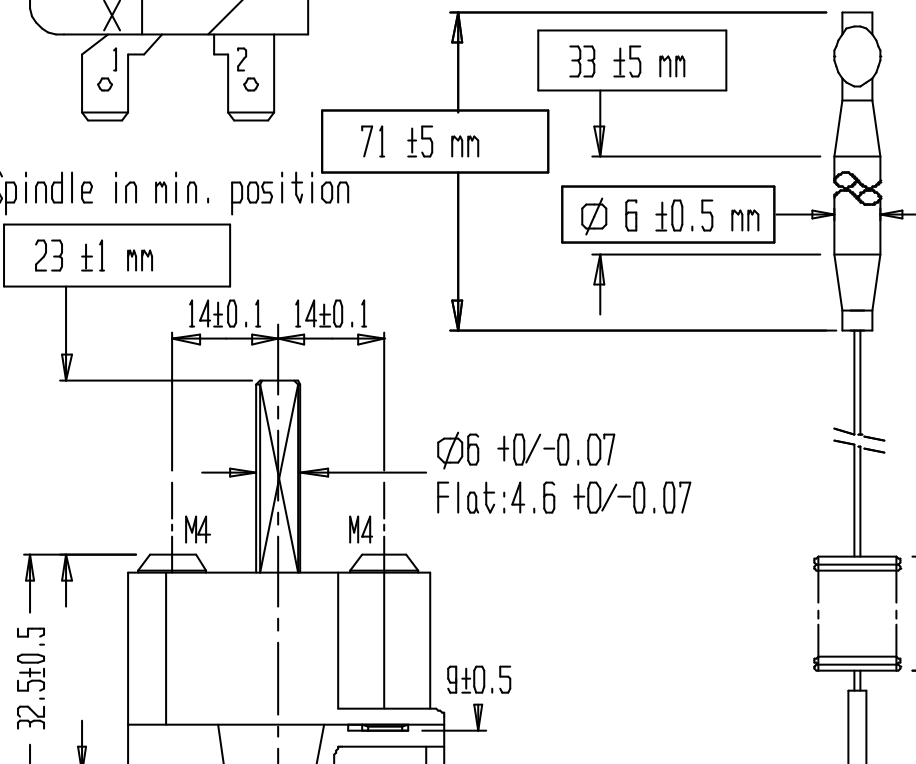
Maxi bulb temp. 256°C

Preset in position : Z

Comments :



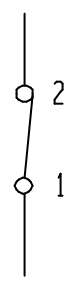
Spindle in min. position



Ø6 +0/-0.07  
Flat: 4.6 +0/-0.07

Standard

70/130 mm



Marking

COTHERM  
... GTLH0135  
1-2 AC 20A 240V  
OF ...

NORMS: -Approvals BEAB: EN60730-2-9  
T 100  
1-2 20A 250V ~

a	updating	06/01/97	D A	07/01/97	B R
REFER.	MODIFICATION	N°:96203	DATE	VISA	ACCEPTED ON VISA

G.T. : ±	SAMPLE	DESIGNATION	<i>COTHERM</i>
Scale : 1/1	N°:	GTLH -5 / 210 °C	
Drawn on : 13/09/94	by : <b>Y.C</b>	CUSTOMER STANDARD	
Approved on : 13/09/94	by : <b>B.R</b>	GTLH0135	

THIS DRAWING IS THE EXCLUSIVE PROPERTY OF COTHERM COMPANY AND MUST NOT BE COPIED OR TRANSMITTED TO THIRD PARTIES