

	Angular Pos / BB	Regulation °C	Diff. °C
X	0	≈ 0	
Y			
Z	270	90 ±4.5	Approx 4.5

Submerged cap. length = 50 mm

Terminals 6.3 x 0.8 mm

Bulb ST/ST COPPER

Capillary ST/ST COPPER

Capil. length 1500 ±25 mm

No of spirals Standard

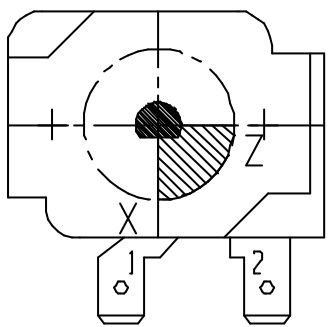
Of diameter 20/25 mm

Sleeving ST/ST NITRONE PER

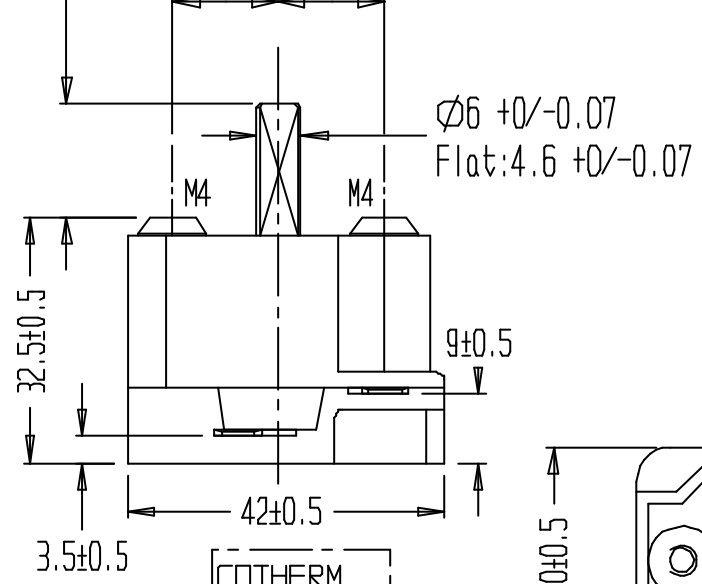
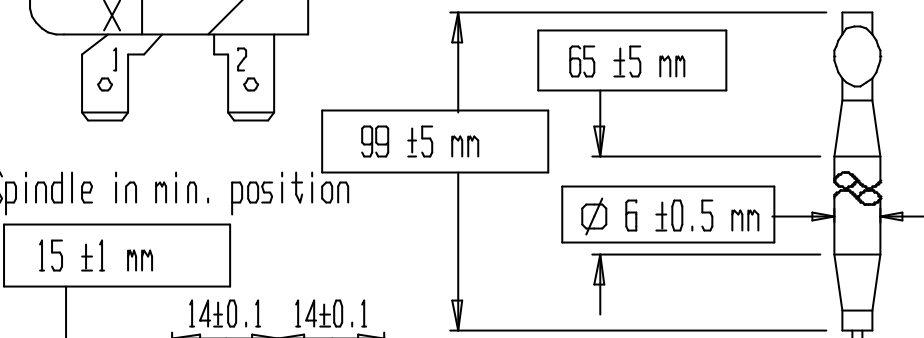
Maxi bulb temp. 164°C

Preset in position : Z

Comments :



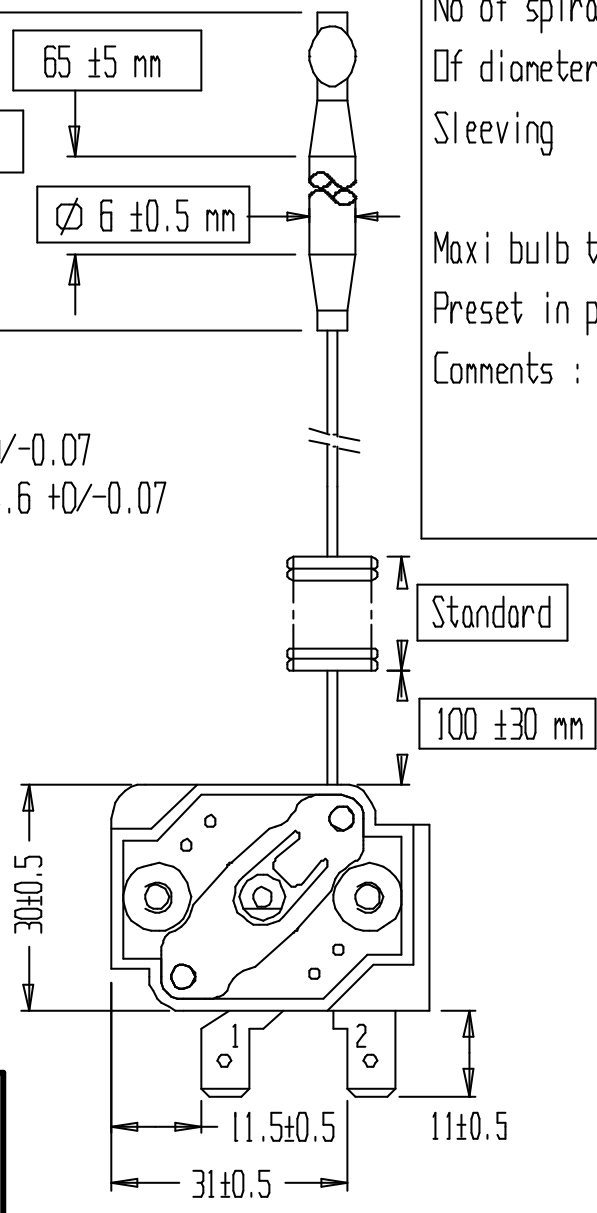
Spindle in min. position



COTHERM
.... GTLH0075
1-2 AC 20A 240V
OF

Marking

NORMS: -Approvals BEAB: EN60730-2-9
T 100
1-2 20A 250V~



b	Bringing up to date		06/01/97	D A	07/01/97	B R
REFER.	MODIFICATION	N°: 96203	DATE	VISA	ACCEPTED ON	VISA
G.T. : ±	SAMPLE	DESIGNATION				<i>COTHERM</i>
Scale : 1/1	N°:	GTLHO 0 / 90 °C				
Drawn on : 05/02/92	by : P.B	CUSTOMER STANDARD				GTLH0075
Approved on : 05/02/92	by : B R					

THIS DRAWING IS THE EXCLUSIVE PROPERTY OF COTHERM COMPANY AND MUST NOT BE COPIED OR TRANSMITTED TO THIRD PARTIES