

	Angular Pos / BB	Regulation °C	Diff. °C
X	0	≈ 8	
Y			
Z	270	84 ±4	Approx 4

Submerged cap. length = 50 mm

Terminals 6.3 x 0.8 mm

Bulb ST/ST COPPER

Capillary ST/ST COPPER

Capil. length 500 ±25 mm

No of spirals Standard

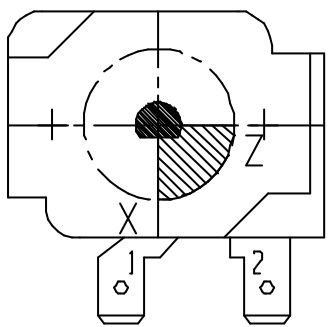
Of diameter 20/25 mm

Sleeving ST/ST Silicone PEP

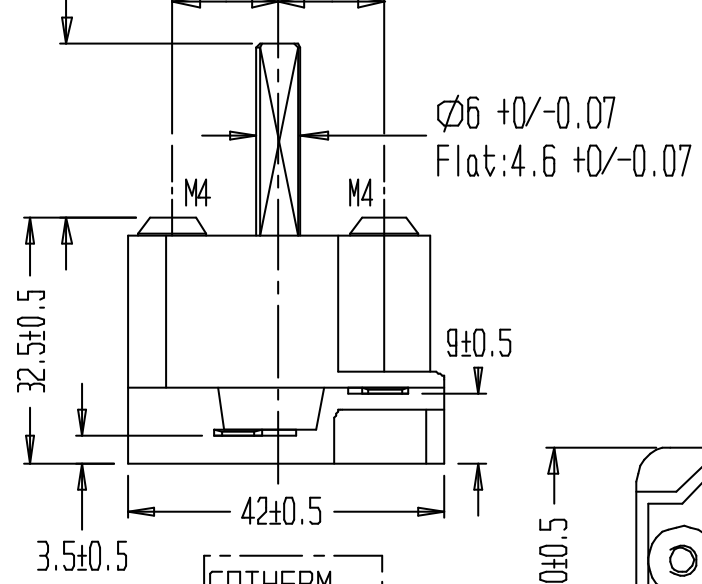
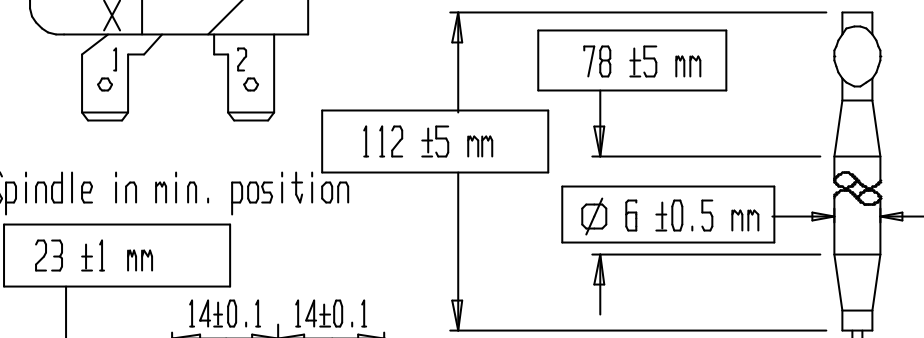
Maxi bulb temp. 146°C

Preset in position : Z

Comments :



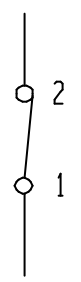
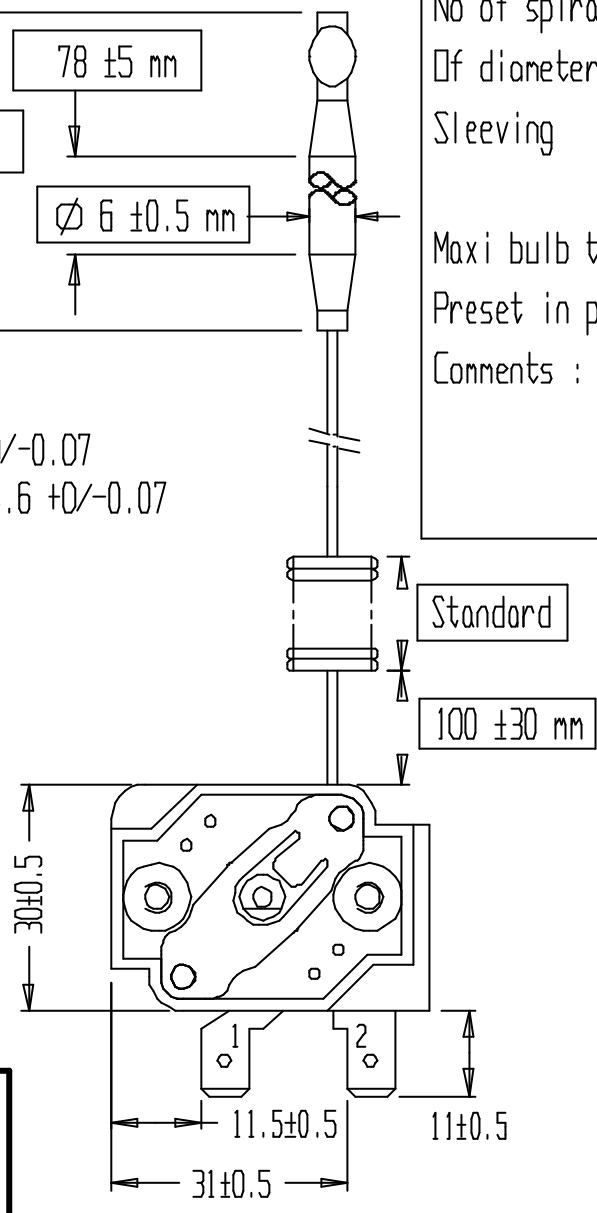
Spindle in min. position



COTHERM
... GTLH0046
1-2 AC 20A 240V
DF ...

Marking

NORMS : -Approvals BEAB: EN60730-2-9
T 100
1-2 20A 250V ~



b	Bringing up to date		03/01/97	DA	07/01/97	BR
REFER.	MODIFICATION		N°: 96203	DATE	VISA	ACCEPTED ON
G.T. : ±	SAMPLE	DESIGNATION		<i>COTHERM</i>		
Scale : /	N°: E - 0547	GTLHO 8 / 84 °C				
Drawn on : 02/04/91	by : P.B.	CUSTOMER STANDARD		GTLH0046		
Approved on : 02/04/91	by : BR					

THIS DRAWING IS THE EXCLUSIVE PROPERTY OF COTHERM COMPANY AND MUST NOT BE COPIED OR TRANSMITTED TO THIRD PARTIES